



GAMMA-RINGS  
GAMMA-RINGE  
GAMMA-RINGEN

## GAMMA-RINGS

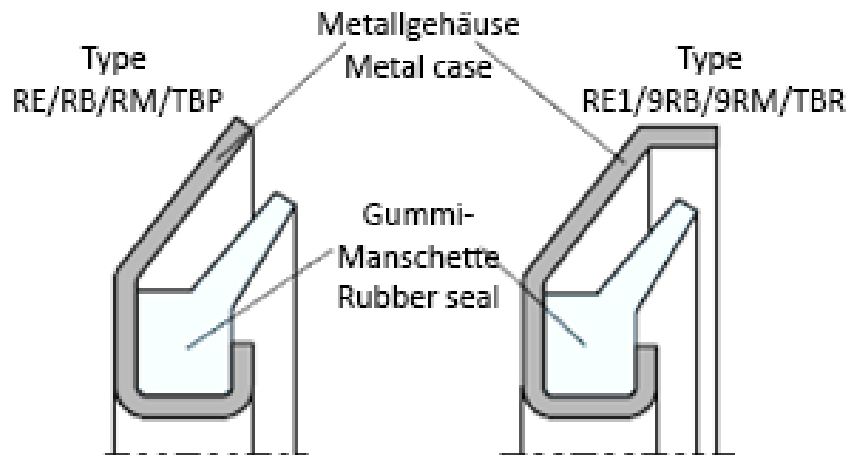
Our assortment of Gamma-rings (GMA-rings) include rings in types RE/RB/RM/TBP and types RE1/9RB/9RM/TBR and available in various combinations of metals and elastomers.

## GAMMA-RINGE

Unser Lieferprogramm von Gamma-Ringen (GMA-Ringen) umfasst die Typen RE/RB/RM/TBP und RE1/9RB/9RM/TBR und sind lieferbar in unterschiedlichen Kombinationen von Metallarten und Elastomeren.

## GAMMA-RINGEN

Ons aanbod aan Gamma-ringen (GMA ringen) omvat de typen RE/RB/RM/TBP en RE1/9RB/9RM/TBR, en zijn leverbaar in diverse combinaties van metaalsoorten en elastomeren.



Our products are compliant to national and international standards, regulations and guidelines and are RoHS and REACH compliant.

Gamma-rings are only offered upon enquiry. Our offerings are subject to minimum order value of € 250 and/or minimum order quantities. Please inquire about our possibilities.

Unsere Produkte entsprechen den nationalen und internationalen Normen und Richtlinien und sind RoHS und REACH Konform.

Gamma-Ringe werden nur auf Anfrage angeboten. Unsere Angebote berücksichtigen einen Mindestbestellwert von € 250 und/oder Mindestbestellmengen. Bitte erkundigen Sie sich nach unseren Möglichkeiten.

Onze producten voldoen aan nationale en internationale standaarden en richtlijnen waaronder RoHS en REACH.

Gamma-ringen worden alleen op aanvraag aangeboden. Onze aanbiedingen zijn onderhevig aan minimale orderwaarde van € 250 en/of minimale bestelaantallen. Informeer naar onze mogelijkheden.

Your contacts:

Ronald van der Lans  
Account manager

Arjan Teunissen  
Account manager

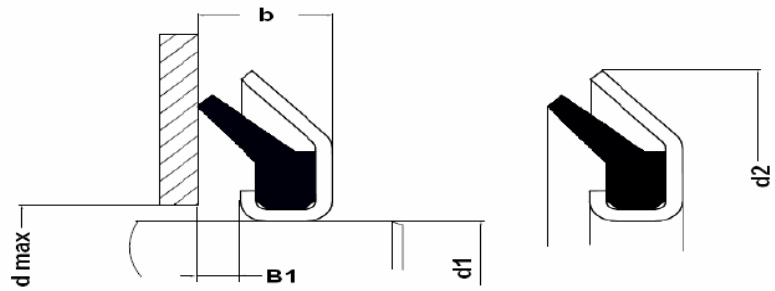
Ihr Ansprechpartner:

*r.vanderlans@zorge.com*  
Tel. +31 (0)71 4091 222

*a.teunissen@zorge.com*  
Tel. +31 (0)71 4091 227

Uw contactpersonen:

GAMMA-RINGS / GAMMA-RINGE  
RE / RB / RM / TBP

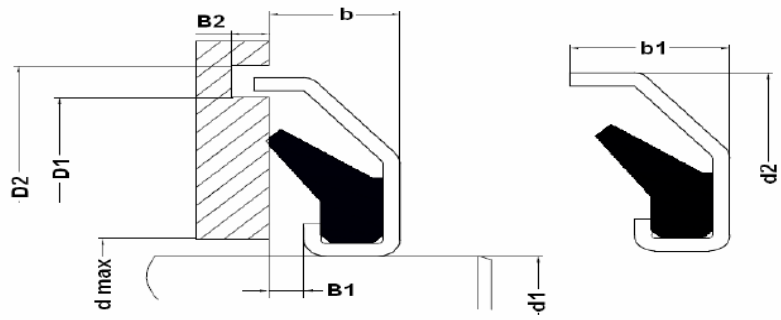


(mm)

d1	d2	b	B1	d max.	Art.
10	24	3.5	1	15	RE-10
11	26	3.5	1	17	RE-11
12	26	3.5	1	17	RE-12
14	30	4.0	1	21	RE-14
15	30	4.0	1	21	RE-15
16	32	4.0	1	23	RE-16
17	32	4.0	1	23	RE-17
18	33	4.0	1	24	RE-18
20	35	4.0	1	26	RE-20
22	40	4.0	1	28	RE-22
24	40	4.0	1	30	RE-24
25	40	4.0	1	31	RE-25
26	40	4.0	1	32	RE-26
28	43	4.0	1	34	RE-28
30	47	4.5	1	37	RE-30
32	49	4.5	1	39	RE-32
35	52	4.5	1	42	RE-35
38	55	4.5	1	42	RE-38
40	57	4.5	1	47	RE-40
41	57	4.5	1	48	RE-41
42	59	4.5	1	49	RE-42
45	62	4.5	1	52	RE-45

d1	d2	b	B1	d max.	Art.
48	65	4.5	1	55	RE-48
50	70	5.5	1	58	RE-50
52	72	5.5	1	60	RE-52
55	75	5.5	1	63	RE-55
58	78	5.5	1	66	RE-58
60	80	5.5	1	68	RE-60
62	82	5.5	1	70	RE-62
65	85	5.5	1	73	RE-65
68	88	5.5	1	76	RE-68
70	90	5.5	1	78	RE-70
72	92	5.5	1	80	RE-72
75	95	5.5	1	83	RE-75
78	98	5.5	1	86	RE-78
80	100	5.5	1	88	RE-80
85	105	5.5	1	93	RE-85
90	110	5.5	1	98	RE-90
95	115	5.5	1	103	RE-95
100	120	5.5	1	108	RE-100
105	125	5.5	1	113	RE-105
125	148	6.5	1	133	RE-125
135	159	6.5	1	145	RE-135
225	250	7.5	1	235	RE-225

GAMMA-RINGS / GAMMA-RINGE  
RE1 / 9RB / 9RM / TBR



(mm)

d1	d2	b	B1	b1	B2	d max	D1	D2	t	Art.
15	32	4	1	6.0	3	21	29	34	0.5	RE1-15
17	34	4	1	6.0	3	23	31	36	0.5	RE1-17
20	37	4	1	6.0	3	26	34	39	0.5	RE1-20
25	42	4	1	6.0	3	31	39	44	0.5	RE1-25
30	48	4.5	1	6.5	3	37	45	50	0.5	RE1-30
35	53	4.5	1	6.5	3	42	50	55	0.5	RE1-35
40	58	4.5	1	6.5	3	47	55	60	0.5	RE1-40
45	63	4.5	1	6.5	3	52	60	65	0.5	RE1-45
50	72	5.5	1	7.5	3	58	68.5	74	0.75	RE1-50
55	77	5.5	1	7.5	3	63	73.5	79	0.75	RE1-55
60	82	5.5	1	7.5	3	68	78.5	84	0.75	RE1-60
65	87	5.5	1	7.5	3	73	83.5	89	0.75	RE1-65
70	92	5.5	1	7.5	3	78	88.5	94	0.75	RE1-70
80	102	5.5	1	7.5	3	88	98.5	104	0.75	RE1-80
85	107	5.5	1	7.5	3	93	103.5	109	0.75	RE1-85
90	112	5.5	1	7.5	3	98	108.5	114	0.75	RE1-90
95	117	5.5	1	7.5	3	103	113.5	119	0.75	RE1-95
100	122	5.5	1	7.5	3	108	118.5	124	0.75	RE1-100
105	143	5.5	1	7.5	3	113	139	145	0.75	RE1-105



**ZORGE Industrie B.V.**

Lageweg 3 | 2222 AG Katwijk | The Netherlands  
Tel. +31 (0)71 4023 234 | Fax. +31 (0)71 4027 261

[www.zorge.com](http://www.zorge.com) | [info@zorge.com](mailto:info@zorge.com)

© ZORGE 2017. All rights reserved.

**ZORGE Hungary Kft.**

Zsírós dűlő 4 | 2750 Nagykörös | Hungary  
Tel. +36 53 550 240 | Fax. +36 53 550 243

The data presented in this brochure are in accordance with the present state of our knowledge, but do not absolve the user from carefully checking all supplies immediately upon receipt. We reserve the right to alter product constants within the scope of technical progress or new developments. The information given in this brochure should be checked by preliminary trials because of conditions during processing over which we have no control. The information provided by us does not absolve the user from the obligation of investigating the possibility of infringement of third parties' rights and, if necessary, clarifying the position. Recommendations for use do not constitute a warranty, either express or implied, of the fitness or suitability of the product for a particular purpose.